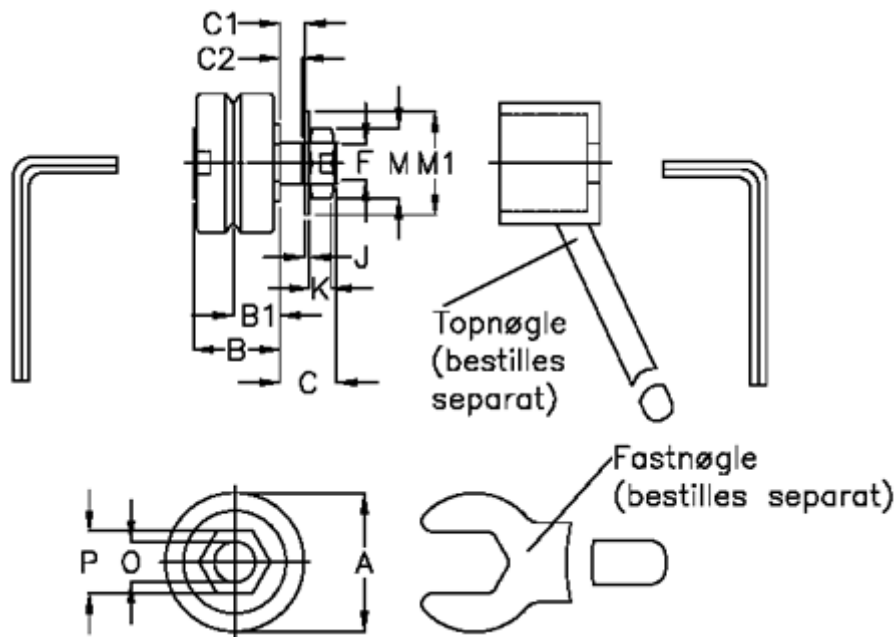


Article number: 057153101303

Description: HEPCO GV3 bearing SJ 13 CNS
Standard With Short Stud

Measures



a = 12.7	K = 2.2
B = 10.1	M = 7
B1 = 5.47	M1 = 9
C = 5.8	O = 4
C1 = 3.0	P = 7
C2 = 2.2	Weight kg/1000 = 0.008
F = M4 x 0,5	
J = 0.80	